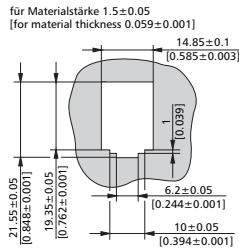




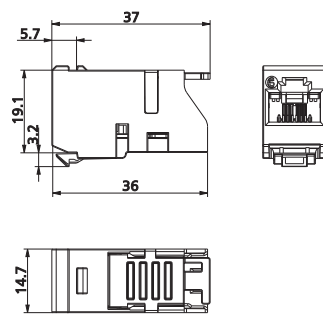
UAE modul Cat.5e

- unshielded Cat.5e class D UAE module
- for Gigabit Ethernet
- compliance with class D to ISO/IEC 11801 Ed.2.2:2011-06, DIN EN 50173-1:2011-09
- suitable for Power over Ethernet (PoE, PoE plus and UPoE)
- easy to install connection of 2 to 4 pair data lines
- AWG 24/1 - 22/1 and stranded wires with 7 copper conductors AWG 26/7 to BTR 8-fold insulation displacement connectors (IDC)
- optional strain relief with cable tie at UAE module
- installation shape: module
- variants: designation of conductor colors marking to T568A, T568B

BTR module cut-out



Dimensional drawing



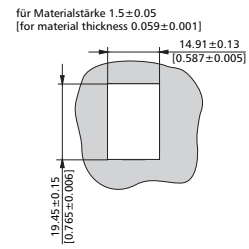
P/N	Color	Feature 1	Feature 2	EAN
130908-I	pearl white	Cat.5e T568A	BTR module cut-out	4250184111146
130908-I-B1	pearl white	Cat.5e T568B	BTR module cut-out	4250184118350



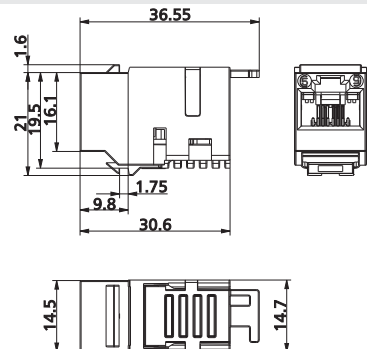
UTP modul Cat.5e - Keystone

- unshielded Cat.5 class D UTP module
- for Gigabit Ethernet
- compliance with class D to ISO/IEC 11801 Ed.2.2:2011-06, DIN EN 50173-1:2011-09
- suitable for Power over Ethernet (PoE, PoE plus and UPoE)
- easy to install connection of 2 to 4-pair data lines AWG 24/1 - 22/1 and stranded wires with 7 copper conductors AWG 26/7 to BTR 8-fold insulation displacement connectors (IDC)
- optional strain relief with cable tie at UTP module
- installation shape: Keystone
- variants: designation of conductor colors marking to T568A, T568B

Keystone module cut-out



Dimensional drawing



P/N	Color	Feature 1	Feature 2	EAN
130A08-I	pearl white	Cat.5e T568A	Keystone module cut-out	4250184111139
130A08-I-B1	pearl white	Cat.5e T568B	Keystone module cut-out	4250184118374