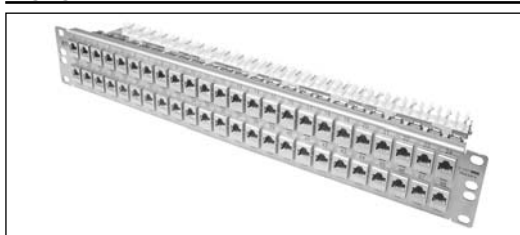


- module frame made of highgrade steel
- refined die-cast zinc metal module housing
- installation friendly termination of the 2 to 4 pair data lines to BTR ID connectors (AWG 22 - 24), wire colour identification per TIA/EIA 568A
- pin/pair assignments per ISO/IEC 11801/EN 50173-1, no untwisting of the wire pairs is required up to the terminal block
- strain relief by cable ties at the E-DAT modul
- optional additional strain relief at the patch panel by cable ties

- captive connectivity spring for cable shield
- ground post M6 x 10 with nut and lock washer
- 30 cm ground cable included
- all fully shielded modules are interconnected by a ground bar
- Cat.6/Class E Link Performance per ISO/IEC11801:9/2002 and EN50173-1:2002
- EMI proof per EN 55022-B, EN 50082-1



**E-DAT modul 48 x 8 Cat.6 Highgrade Steel Patch Panel**



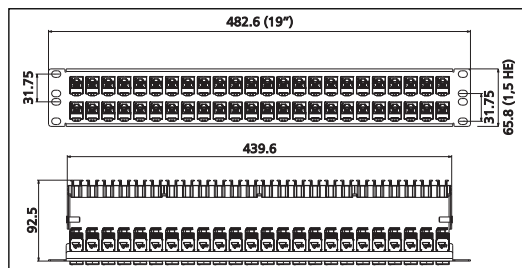
- 19", 1.5 RMS Cat.6 Highgrade Steel Patch Panel, with 48 individually shielded E-DAT modul Cat.6 8(8) RJ45 modules

Version	P/N
E-DAT modul 48 x 8 Cat.6 Highgrade Steel Patch Panel	130924-E

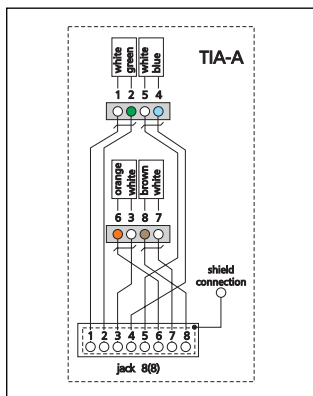
**Note**

packing unit 1 pc  
weight 2280 g

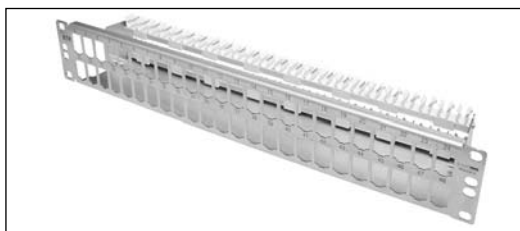
**Dimensions**



**Pin/Pair Assignment ISO/IEC 11801, EN 50173-1**



**E-DAT modul Highgrade Steel Module Frame 19" 1.5 RMS for up to 48 single port modules**



- the E-DAT modul 19" 1.5 RMS Highgrade Steel Module Frame and E-DAT modul Cat.6 8(8) or other single port modules allow to assemble patch panels with up to 48 ports

Version	P/N
E-DAT modul 19" 1.5 RMS Highgrade Steel Module Frame for E-DAT modul	130924-00-E

**Note**

packing unit 1 pc  
weight 930 g